

FUNC FLATSCREEN CH VST2



Minimalist

The Func Flatscreen CH VST2 is a strong neat, ceiling bracket. This bracket is very functional and like most of our ceiling brackets it is tilt able to provide the best viewing angle. The cables are discreetly fed through the cylinder. The Func Flatscreen CH VST2 is a reliable choice for your heavy screen.

Special features.

The design of the adapterplate user friendly and easy to mount. The design of the ceilingplate allows you to mount the bracket even if the ceiling is sloping. The SMS Flatscreen H2 Unislide is included in the package.

INFO

- Color: Silver or black.
- Max load: 50 kg/screen (standard). With custom made slide the product supports up to 100 kg/screen.
- Total Length (from ceiling to the screens center line): 855-1455 mm.
- Swivel & Tilt: The screen can be swiveled +/-180° and tilted -3/+25°.
- Adjustable: The length is adjustable in 100 mm steps.

Note: Cables are fed through the pillar. The adapter plate is prepared with a hole that maeks it possible to sequire the screen with a padlock. Can be mounted in sloping ceilings.

Required unislide: SMS Flatscreen H2 Unislide (included).
 Vesa standard: 200x100/200x200/400x200/400x400/600x200/600x400/800x400.

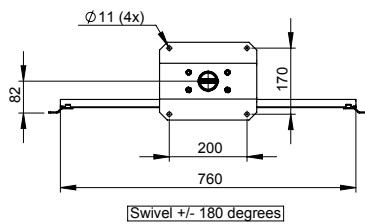
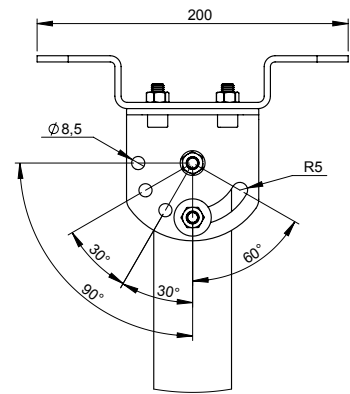
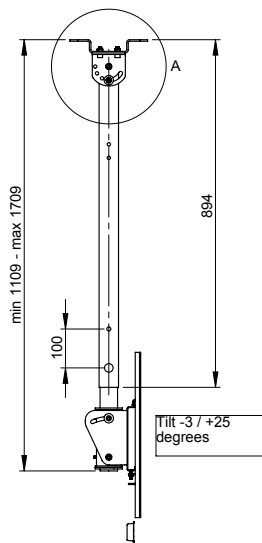
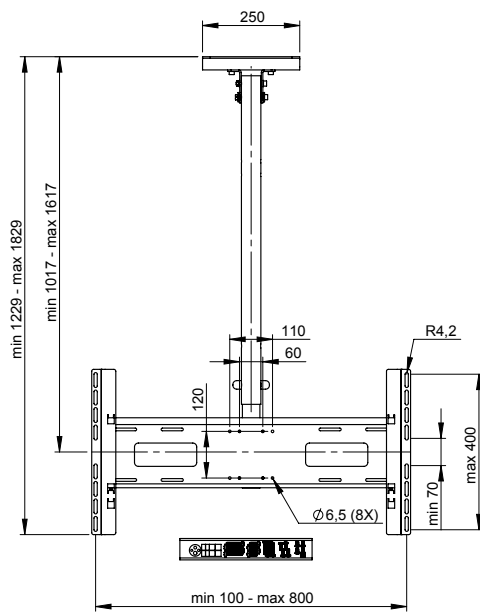
Note: The SMS Flatscreen H Unislide is NOT compatible with this bracket.

ART. NO

- PL061088-P0
- PL061033
- PL061034

DESCRIPTION

- Func Flatscreen CH VST2 Black
- Pipe CHVST2/D2 1540-2740 Black
- Pipe CHVST2/D2 2540-4540 Black
- Func Flatscreen CH VST2 Silver
- Pipe CHVST2/D2 1540-2740 Silver
- Pipe CHVST2/D2 2540-4540 Silver



We reserve the right to introduce changes in the product specifications after the publishing of this document.