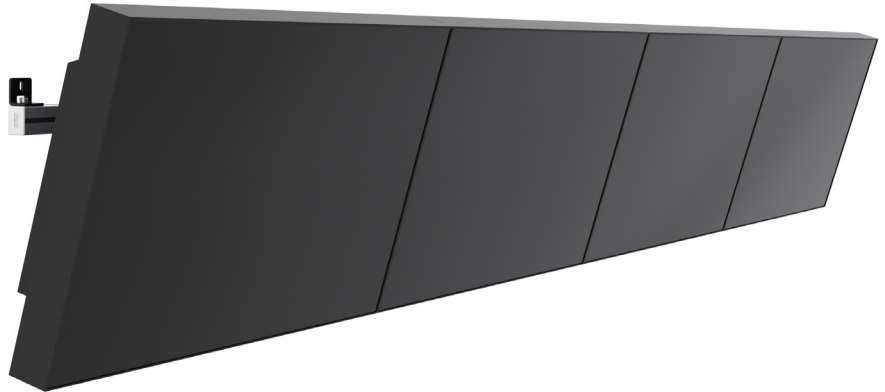


SMS MULTI DISPLAY WALL TILT



Line up large screens really close to the wall.

A solution that is easy to mount at a fixed tilt – particularly suitable for those seeking the perfect viewing angle when mounting several screens in a row. Can be used with screens from approximately 37”, right up to 65”.

Simply choose as many modules as you need. Each module is supplied as a complete package with all necessary components, and can be set up in three easy steps. The solution makes it easy to place the screens exactly in line and allows edge-to-edge mounting. Can be tilted to three fixed angles: 5, 10 or 15 degrees.

QUESTIONS AND ANSWERS

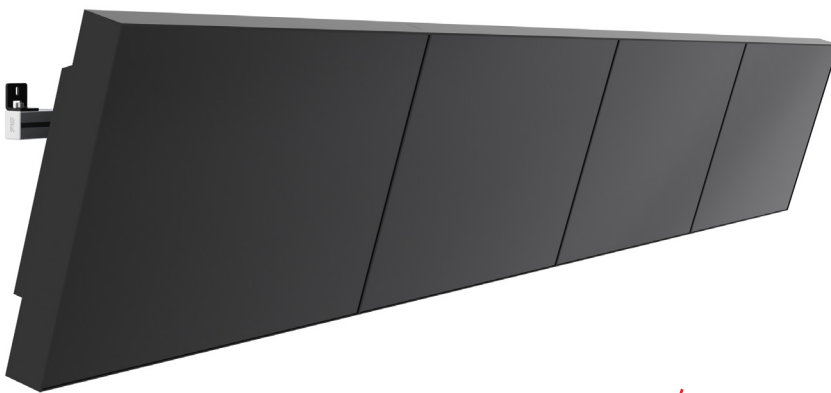
Easy to mount – what exactly do you mean?

All that is required is that you use a spirit level to align the holes in the wall into which the wall rails will be screwed. Only four holes are needed for each module. Once the wall rails are correctly positioned, the screen will automatically sit correctly. All that remains is simple fine adjustment.

What components are required to mount one module? What is included?

You order one package that contains everything required: wall rails, screen fittings, screws, nuts and end caps.

A VIDEO ROW ALLOWS YOU TO SPREAD YOUR REACH AS FAR AS YOU LIKE



CHOOSE THE NUMBER OF SCREENS YOU NEED, WITH DIMENSIONS 37-60"

Construct a video row with the aid of easily mounted modules, designed to make exact alignment of the screens easy. Fine adjustment in the vertical and depthwise directions allows edge-to-edge mounting.



TILTING IN STEPS

The tilt function allows you to tilt the screen 5, 10 or 15 degrees. This is particularly useful when mounting a video row, since the screens can then be tilted slightly down towards the viewer.

What is the maximum number of screens that can be used in a video row?

There is no limit in the horizontal direction. Always double check the recommendations of the screen manufacturer.

This design supports very large screens, isn't the combined weight a problem?

The wall brackets are manufactured from aluminium and are lighter than those used in many other designs. The two wall rails, for example, weigh as little as 1 kg. The very close distance between screen and wall, 46.5 mm, also contributes to giving an impression of lightness.

TECHNICAL SPECIFICATIONS

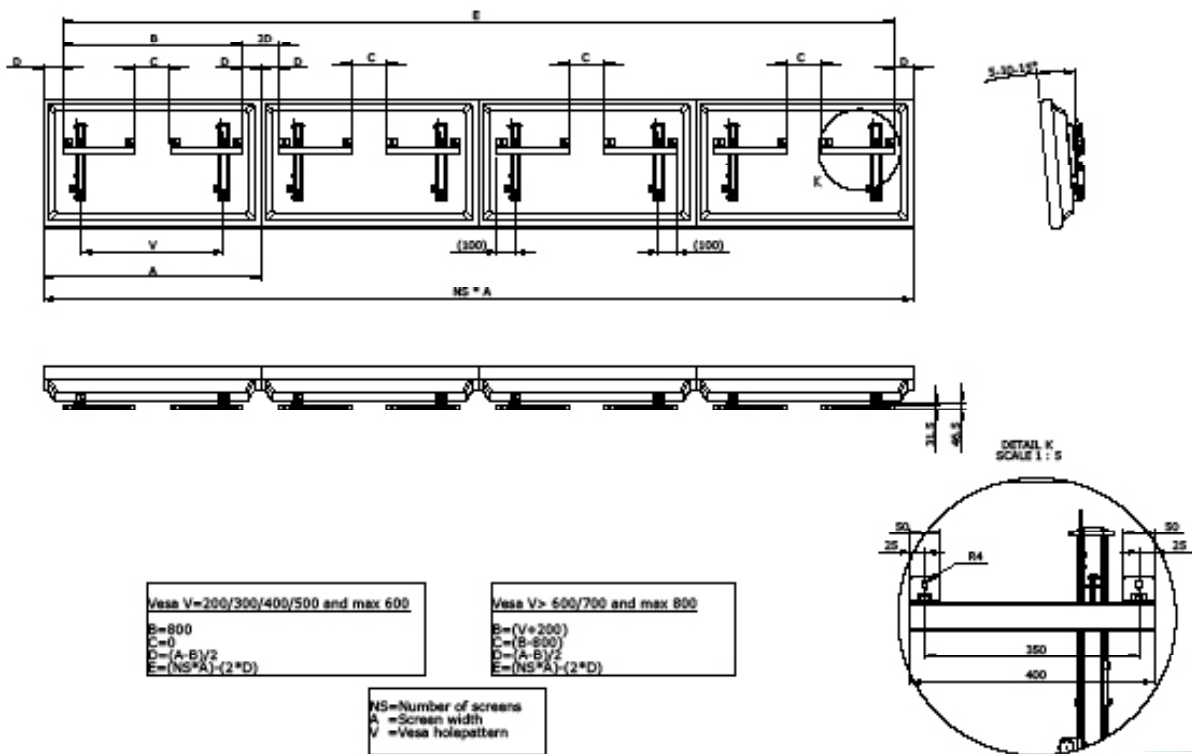
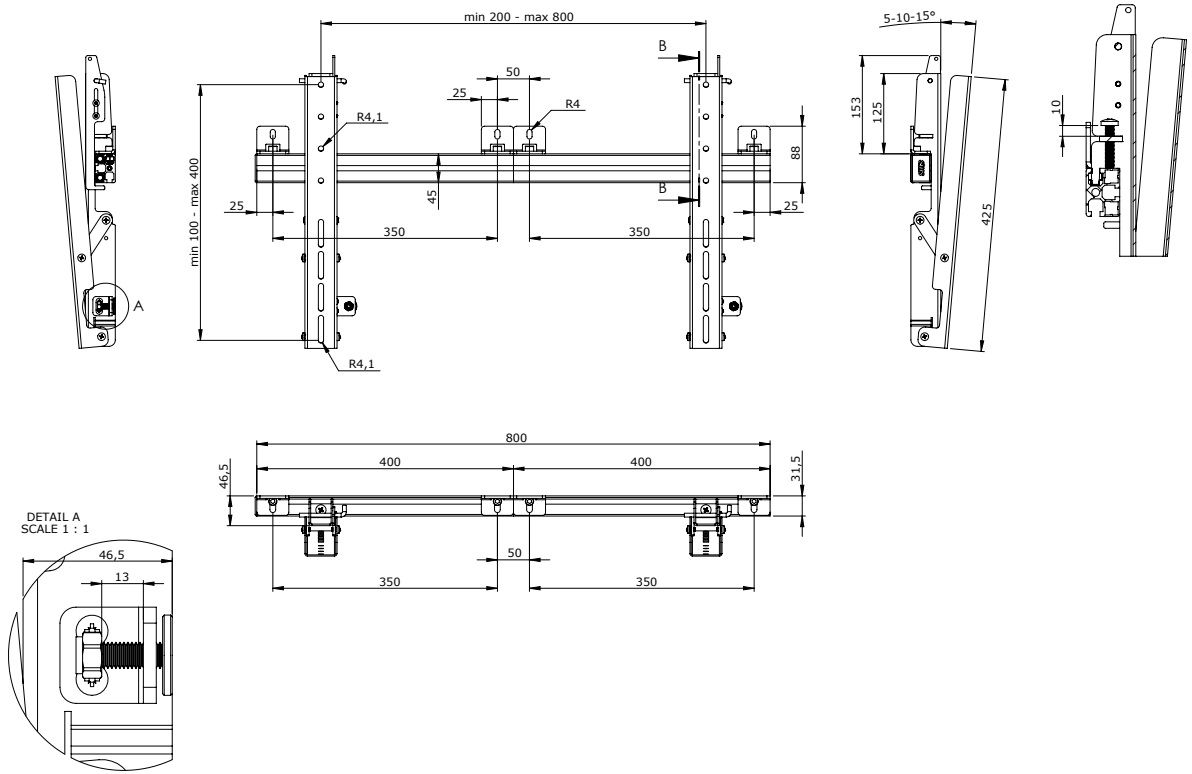
- Finish: aluminium/black.
- Suitable for VESA standards: 100-400 mm vertically. No limitation horizontally.
- Max. load: 100 kg/screen
- Can be adjusted both depthwise and vertically. Simple fine adjustment.
- Distance between wall and rear of screen: 46.5 mm
- Can be locked with the accompanying locking pin or with a padlock (not included), to increase personal safety and security from theft.
- Suitable for screens approximately 37-65".
- All components are supplied in a single package.
- Can be tilted in steps: 5/10/15 degrees.
- The accompanying end caps give an attractive finish to the installation and minimise the risk of injury from the aluminium profiles.

ART. NO	DESCRIPTION
PW020001	SMS Multi Display Wall Tilt

Simple ordering – one package and one article number for each screen!

A single article number covers everything needed to order one module (containing equipment for one screen).

For example: order 3 x PW020001 for a video row of three screens.



Vesa V=200/300/400/500 and max 600
 B=800
 C=0
 $E=(A+B)/2$
 $E=(NS*A)-(2*D)$

Vesa V> 600/700 and max 800
 $B=(V+200)$
 $C=(B-800)$
 $E=(A+B)/2$
 $E=(NS*A)-(2*D)$

NS=Number of screens
 A =Screen width
 V =Vesa holepattern



SMART MEDIA SOLUTIONS

www.SmartMediaSolutions.se